

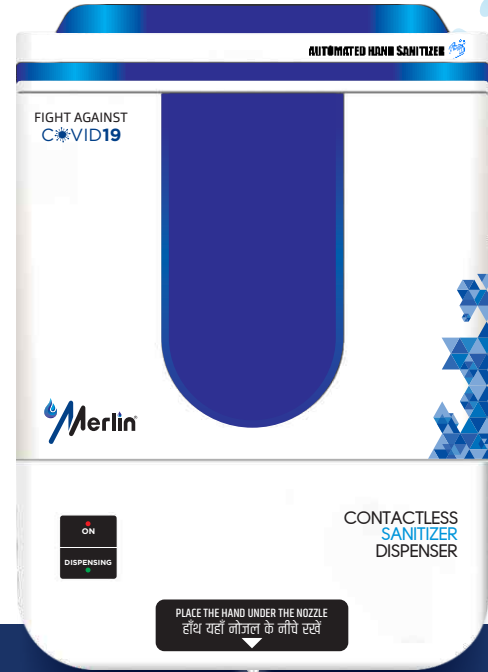


# Merlin®

1<sup>st</sup>  
TIME IN  
INDIA

## CONTACTLESS SANITIZER DISPENSER

— COMPLETE PEACE OF MIND —



Use Isopropyl Alcohol Based Palm Cleanser

FULLY  
AUTOMATIC



ALCOHOL-BASED  
SPRAYS



MIST BASED SANITIZER  
DISPENSING UNIT



KILLS ALL THE BACTERIA AND  
GERMS ON YOUR HAND



FIGHT AGAINST COVID19



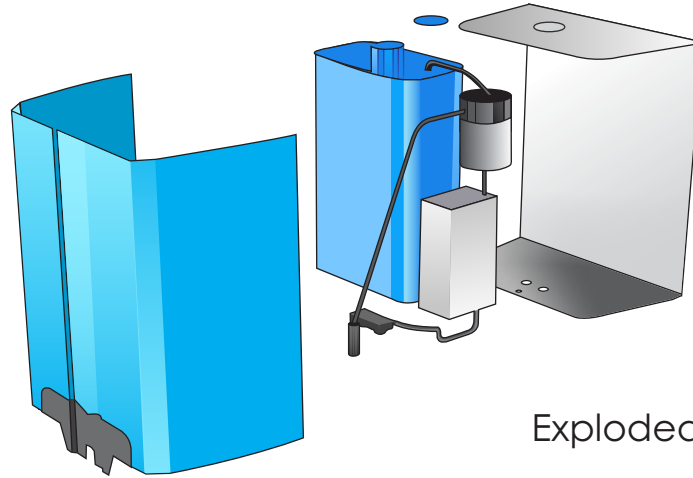
## ABOUT THE AUTOMATIC MIST BASED SANITIZER DISPENSING MACHINE

A compact contactless dispensing unit sprays alcohol based sanitizer when both hands are placed under it, its aerated mist based formula uses only **2-5 ml.** of sanitizer ensuring optimum usage.

Contactless technology works on Ultrasonic sensor to ensure zero touch, high operational precision to completely disinfect **both hands at once.**

A wall mountable unit is Enabled with two display LEDs to indicate on/off status and dispensing in progress.

Bulk sanitizer container tank makes it hassle free and economical.



Exploded View of ASDU

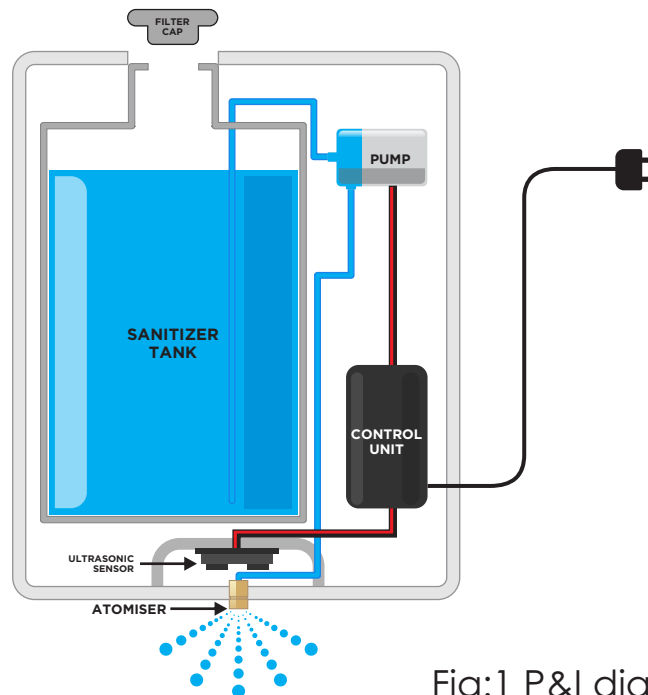


Fig:1 P&I diagram

## ACTUAL IMAGES





## SPECIFICATIONS

<b>Dimensions</b>	-	45cm (H) X 30cm (W) X 22cm (D)
<b>Electrical Input</b>	-	230V AC, 5 Amp
<b>Power consumption</b>	-	
1. Idle Mode	-	< 3VA
2. When Spraying	-	25VA
<b>Weight of unit</b>	-	6 Kg. Approx
<b>Mounting style</b>	-	Wall mount

## SPECIFICATIONS

### 1. Outer Body -

Material - ABS/FRP/PVC

### 2. Sanitizer Container- This is the container where the sanitizer is stored/refilled.

Material - ABS/FRP/PVC

Capacity - 8 Liters

### 3. Solenoid Valve - This valve prevents water to drip from the nozzle when the pump is not working

Working voltage - 24V DC

## SPECIFICATIONS

**4. Diaphragm booster pump** -This pump is used to provide increased pressure to the inlet of spray nozzle for atomizing

Working Voltage	-	24V DC
Working Pressure	-	4-6 bar
IP Rating	-	IP 54

**5. Atomizer Nozzle** -This Nozzle sprays sufficient amount of sanitizer at required cone angle to wet both the hands for 5-12 seconds

Material	-	Chemical resistant Plastic/Brass
Flow rate	-	2-5 ml for each operation

## SPECIFICATIONS

**6. Waterproof non-contact Ultrasonic Sensor** -This module, with air as medium, is a non-contact target detection and distance measurement module. This sensor is not affected by color or other visual from the detected object. The ultrasonic sensor sends out high frequency sound waves in the direction of detection, and receives the reflection from nearby objects and gives distance reading by processing the echo time

Material	-	Plastic
IP Rating	-	IP 67
Min sensing distance	-	2 cm
Max hand distance	-	20 cm

**7. Control Circuit** -The control circuit works on ESP8266 controller which has the algorithm to check once an object is detected and switch on the dosing pump for a pre-defined time. The firmware in the controller can be updated over the air, by creating smart-phone WiFi hotspot





## FEATURES FOR COMPLETE PEACE OF MIND

Automatic Mist Based Sanitizer  
Dispensing Unit sprays alcohol-  
based sanitizer to kill all the bacteria  
and Germs on your Hand

Hand Sanitizer with Isopropyl  
Alcohol based palm cleanser that  
kills 99.99% of germs & bacteria  
from your hand to keep you safe  
from all kind of infection-causing  
possibilities

**SAFE & LONG-LASTING** : The offered  
liquid-textured hand sanitizer is  
gentle and non-irritating, does not  
hurt the skin, removes odor and  
has moisturizing properties.

## IDEAL FOR

- Hospital
- Police Station
- Airport & Flight
- Railway Station
- Bus & Train
- Public Toilet
- Bank
- Clinic
- Office & Home
- Industries
- Shop
- Grocery Store
- Workshop
- Hotel, Pub & Restaurant
- Park
- Gym & Academy
- School & College
- Stadium
- Shopping Mall
- Cinema Hall
- Religious Place
- Group Users





**PRADEEP AD INDIA PVT. LTD.**

SSI-51, G.T. Karnal Road Ind. Area, Delhi-110033

+91 92124 11101, +91 99710 29939,

[www.paibazaar.com](http://www.paibazaar.com)